



ATG ACCESS

# ATG Access SP Shallow TT



The ATG Access SP Shallow TT has a unique double action retractable design which ensures smooth operation and acts as a depth saving feature. It has been successfully impact tested in accordance with BSI PAS 68:2010, arresting a 7,500kg truck at 64km/h (40mph) and with less than 1m penetration. The SP Shallow TT is the strongest reduced-depth Automatic bollard on the market.

## The Product

The SP Shallow TT is ATG's shallowest BSI PAS 68:2010 tested automatic bollard. This latest innovation in technology allows the use of automatic bollards for high security solutions to be installed in areas where underground services or lack of space for excavation may cause a problem.

Having successfully stopped a 7,500kg vehicle travelling at 64km/h (40mph), it is well placed to meet most perimeter security requirements. The Shallow TT fits into our existing range of high security systems to ensure that ATG Access has a solution to meet any of our customers' requirements. The SP Shallow TT stands one metre tall yet only requires 900mm foundation, significantly less than usual high security retractable bollards.



## The Application

This product is suitable for any application calling for the use of rising bollards. Particularly where foundation depths are an issue and great aesthetics are a necessity.

## The Benefits

- Impact tested in accordance with BSI PAS 68:2010
- Avoids underground services and structures
- Full installation service or supply only
- Manufactured in the UK
- Proven innovative product and technology
- Superior finish and aesthetics
- Ease of installation
- Environmentally friendly installation due to the use of less concrete

[www.atgaccess.com](http://www.atgaccess.com)

[www.atgaccessinc.com](http://www.atgaccessinc.com)



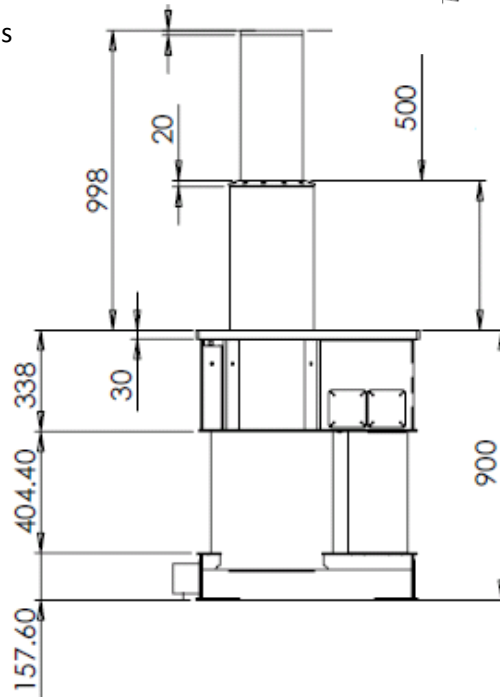
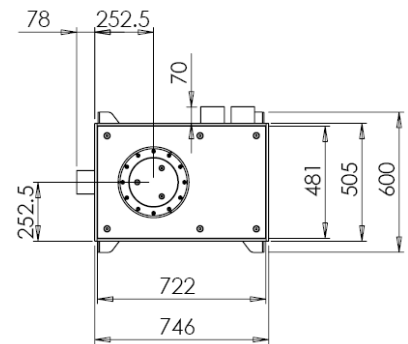
# ATG Access SP Shallow TT

## Characteristics

Product	Diameter	Height	Wall thickness	Finish	Foundation Depth
SP Shallow TT	280mm & 209mm	1000mm	Confidential	Sherardised	900mm

## Technical specifications

Testing Criteria:	BSI PAS 68 : 2010
Vehicle weight:	7500kg
Vehicle speed:	64km/h (40mph)
Full PAS 68 Designation - Telescopic:	Telescopic/7500(N2)/64/90:0.53/6.10
Full PAS 68 Designation - Retractable:	V/7500[N2]/64/90:0.5/6.1
Standard speed of operation	6 – 8 seconds



## Options and Extras

- RAL colours available
- Heating system for cold weather environments
- Emergency high speed operation

We can produce a written evaluation, in the form of a quotation, and provide drawings or photographs based on your requirements.

All details correct at time of going to press, ATG Access reserves the right to modify specifications, design, operating conditions or any other details without notice

### ATG Access Inc

402 Mckinney Parkway  
Lillington  
NC 27546  
USA

Tel: + 1 910 814 5200

Fax: + 1 910 814 5299

### ATG Access Ltd

CoBaCo House  
North Florida Road  
Haydock Industrial Estate  
Haydock  
Merseyside

WA11 9TP

UK

Tel: 08456 75 75 74

Fax: 08456 75 99 55