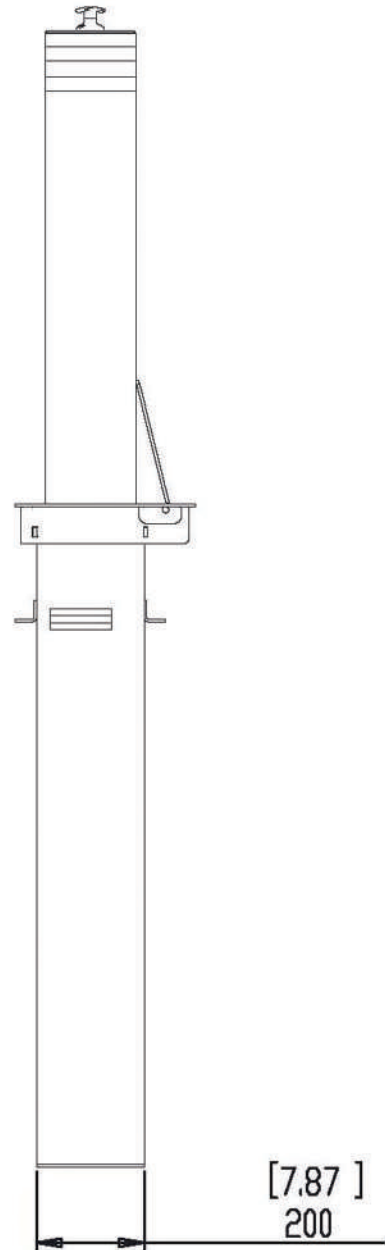
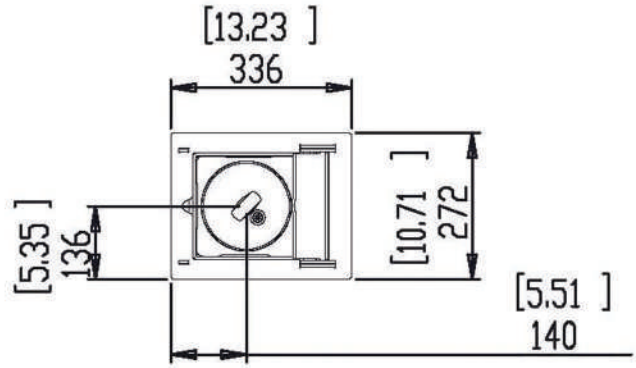
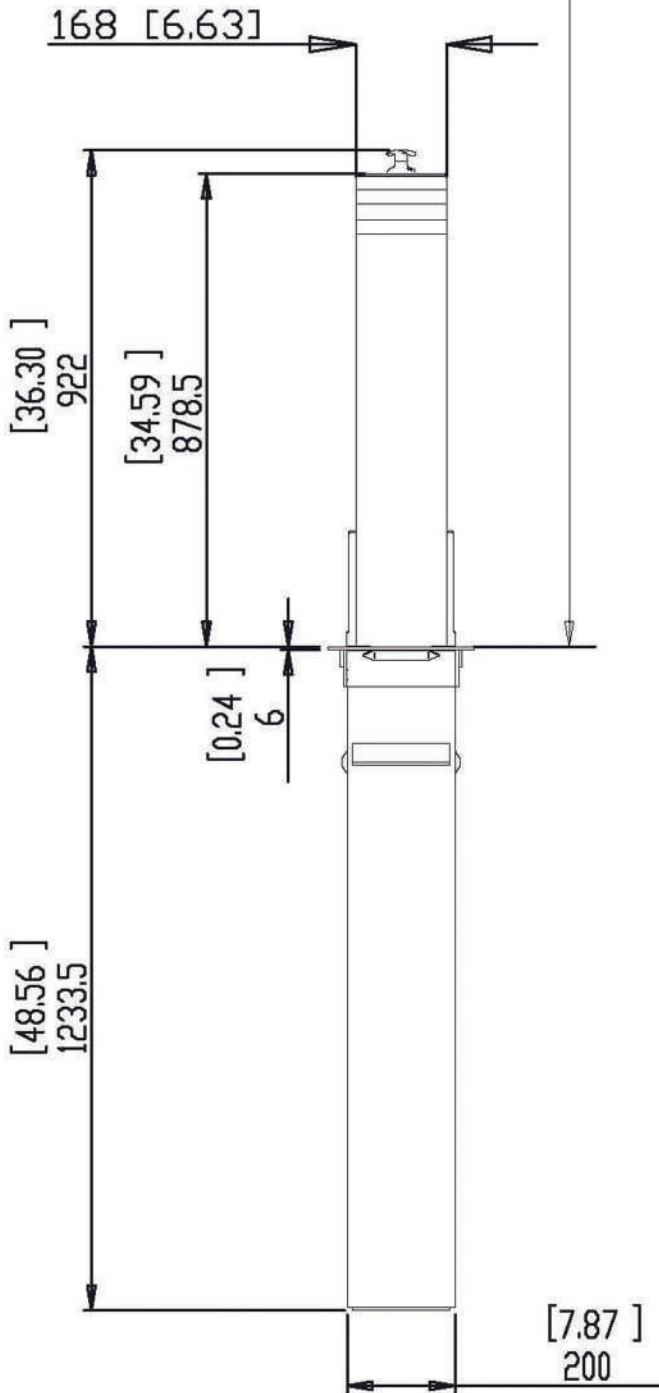


DIMENSIONS IN BRACKETS ARE IN INCHES

SURFACE GROUND LEVEL



ATG ACCESS
 ColteCo House
 North Florida Road
 Haystack Industrial Estate
 Haystack
 Haverhill
 Cambridgeshire
 CB23 9JF
 Tel: +44 (0)1353 75 75 74
 www.atgaccess.com

PROJECTION:
 THIRD ANGLE



UNLESS OTHERWISE SPECIFIED DIMS ARE
 IN mm TOLERANCES:

DO NOT SCALE DRAWING - IF IN DOUBT
 ASK.

DESCRIPTION:

168R 900 GENERIC DWG

MATERIAL:	VARIOUS	DRAWN BY:	IV
PROCESS:	VARIOUS	DATE:	15/06/09
FINISH:	VARIOUS	NOTES:	N/A
SHEET:	1 of 1	SCALE:	DO NOT SCALE
		DRAWING No:	10730

A4

REV
 A

THIS DRAWING IS THE PROPERTY OF ATG ACCESS LTD. IT IS A CONFIDENTIAL DOCUMENT AND MUST NOT BE COPIED,
 REPRODUCED OR IN ANY MANNER DISCLOSED TO ANY OTHER PARTY WITHOUT THE WRITTEN CONSENT OF ATG ACCESS.

WEIGHT: _____ VOLUME: _____