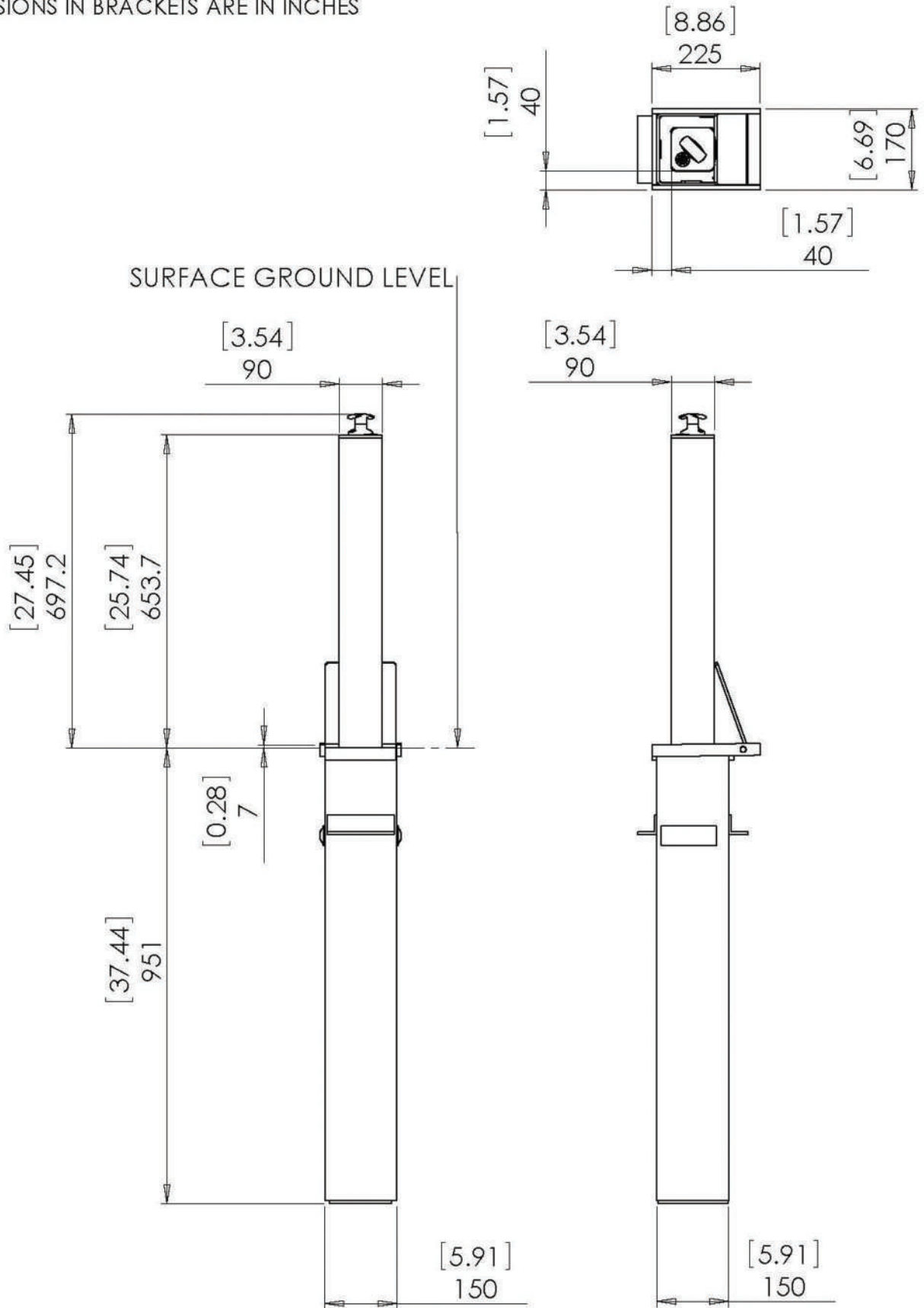


DIMENSIONS IN BRACKETS ARE IN INCHES



ATG ACCESS  
CoBaCo House  
North Florida Road  
Haydock Industrial Estate  
Haydock  
Merseyside  
WA11 9TP  
Tel: +44 (0)8456 75 75 74  
www.atgaccess.com

PROJECTION:  
THIRD ANGLE



UNLESS OTHERWISE SPECIFIED: DIM'S ARE  
IN mm TOLERANCES.

DO NOT SCALE DRAWING - IF IN DOUBT  
ASK.

DESCRIPTION :

**90 SQUARE GENERIC DWG**

MATERIAL:

**VARIOUS**

DRAWN BY:

**IPW**

PROCESS

**VARIOUS**

DATE:

**16/06/09**

FINISH:

**VARIOUS**

NOTES:

**N/A**

THIS DRAWING IS THE PROPERTY OF ATG ACCESS LTD. IT IS A CONFIDENTIAL DOCUMENT AND MUST NOT BE COPIED,  
USED OR ITS CONTENTS DIVULGED (IN WHOLE OR PART) WITHOUT PRIOR WRITTEN CONSENT OF THE COMPANY.

WEIGHT:

VOLUME:

SHEET:

**1 of 1**

SCALE:

**DO NOT SCALE**

DRAWING No:

**18739**

REV:

**A**

**A4**