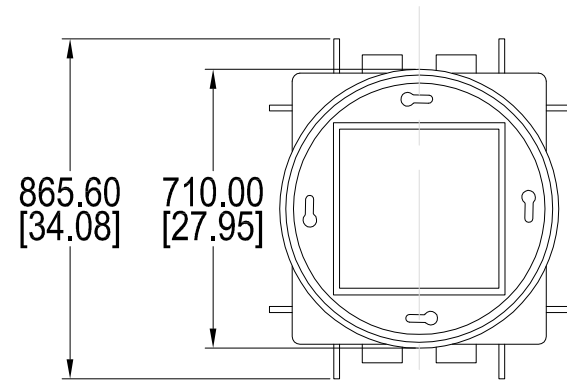
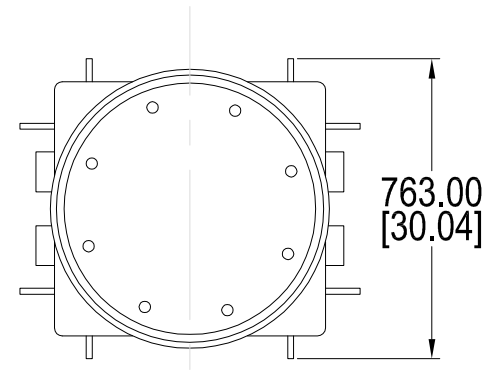


Plan View Without Blanking Plate



Plan View With Blanking Plate

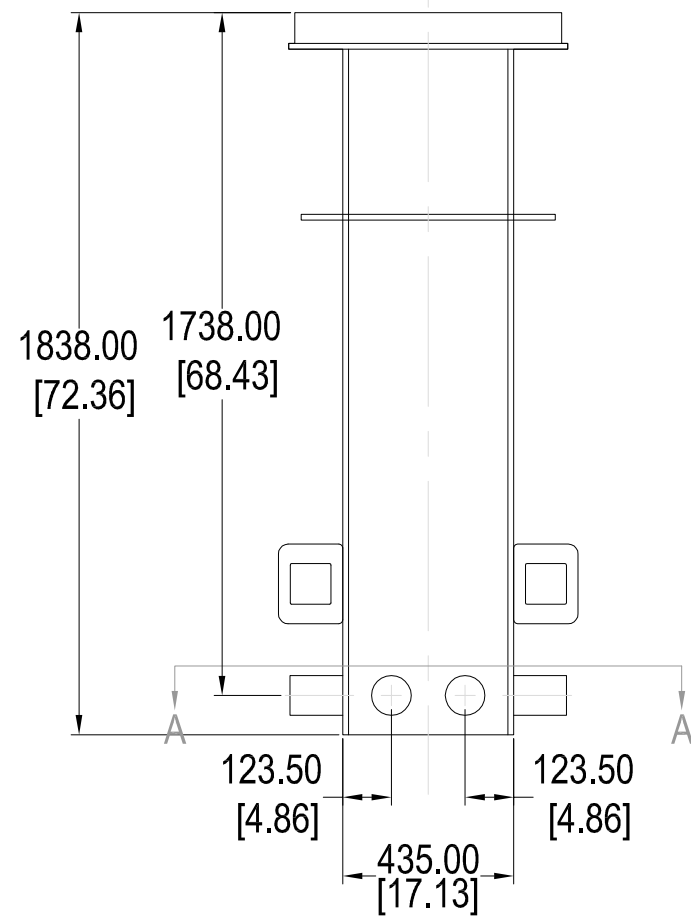


This Drawing is only indicative of an example installation

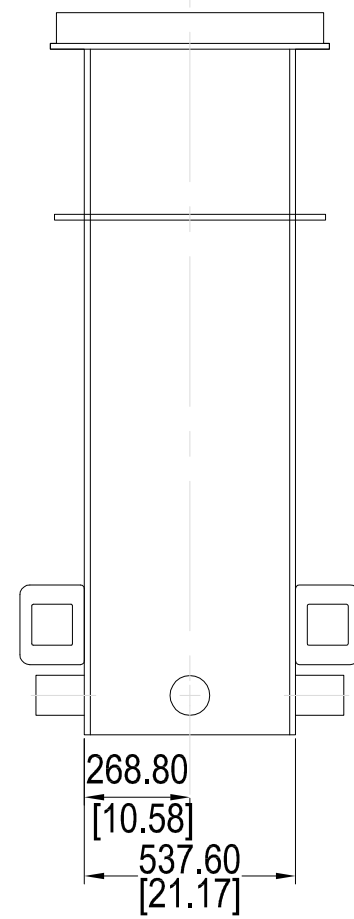
Actual foundation is dependant on a number of factors including (but not limited to):

1. Number of bollards in the array.
2. Ground conditions
3. Application

All factors must be considered before designing the foundation. Please contact ATG Access to discuss your specific requirements.

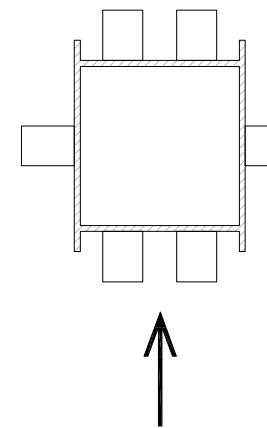


Front Elevation



Side Elevation

Section A-A



6 No. Ø101mm Duct connections are provided.

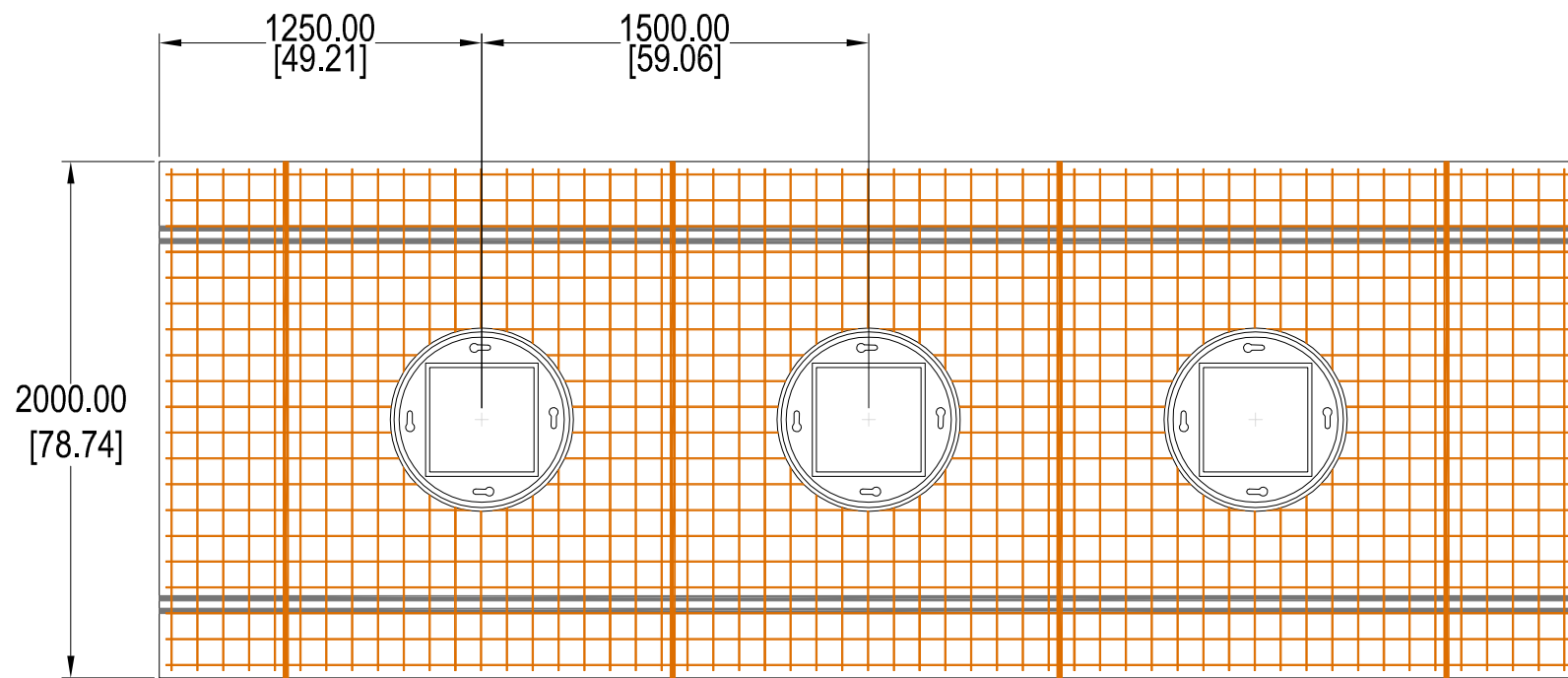
Each post requires:
2 No. Hose/Cable Ducts
1 No. Drainage Duct

3 No. Spare ducts require blanking off to prevent concrete seepage.

Direction of Vehicle Attack

REV	DATE	DESCRIPTION	DRN.	CHK.	APP.	TITLE	MATERIALS	FINISH	VOLUME
A	20.11.05	FIRST ISSUE	DS	.	.	SP1000 Auto - Example Foundation and Installation Details Standard dimensions are in millimetres. Dimensions in square brackets are in inches.	N/A	N/A	N/A mm ³
B	07.05.13	Border updated and information standardised	RS	RN	RB		Generic Drawing	N/A	ALT PART
C				
D				
E				
F				
						TOLERANCES unless otherwise stated: x ± 1.0mm x.x ± 0.5mm x.xx ± 0.25mm Angles ± 0.5°	THIRD ANGLE PROJECTION 	BALLOON FORMAT 	SHEET 1 of 3 DRAWING 27490
									B

Distance from edge of excavation to centre of the first bollard



Plan View

Rebar Key

- Rebar mesh constructed of T8 Bar 200mm centres
- Rebar mesh constructed of T12 Bar 100mm centres

This Drawing is only indicative of an example installation

Actual foundation is dependant on a number of factors including (but not limited to):

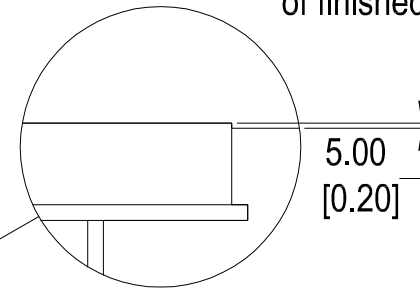
1. Number of bollards in the array.
2. Ground conditions
3. Application

All factors must be considered before designing the foundation. Please contact ATG Access to discuss your specific requirements.

Ducting and sump tube omitted for clarity

Direction of Vehicle Attack

Top of outer sits 5mm proud of finished floor level



Front Elevation

Direction of Vehicle Attack

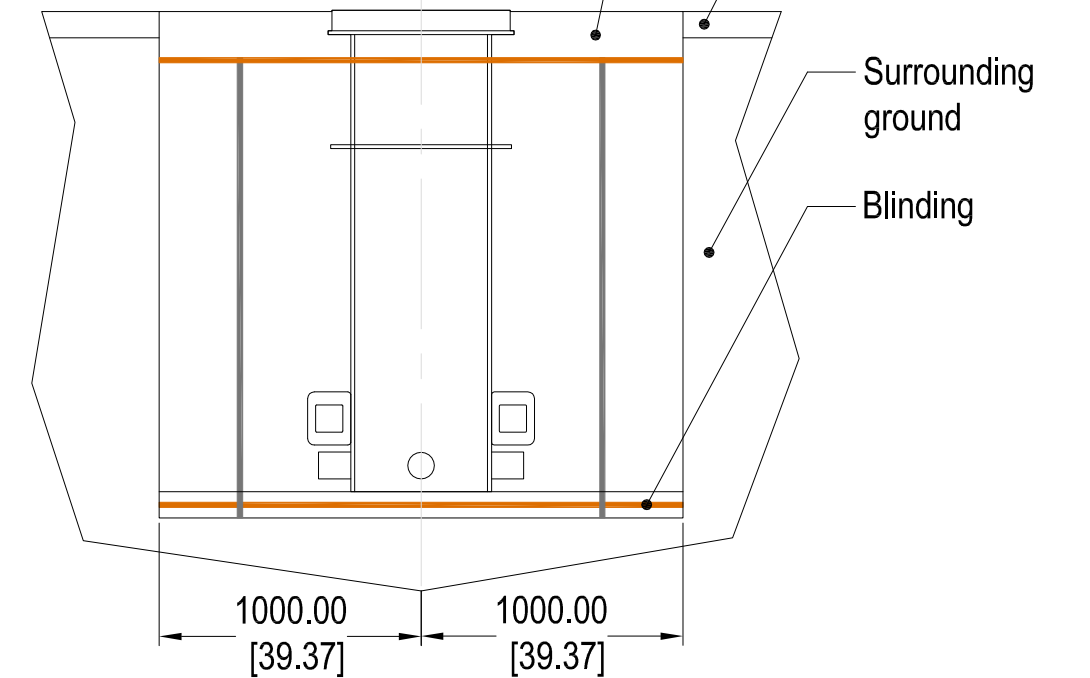
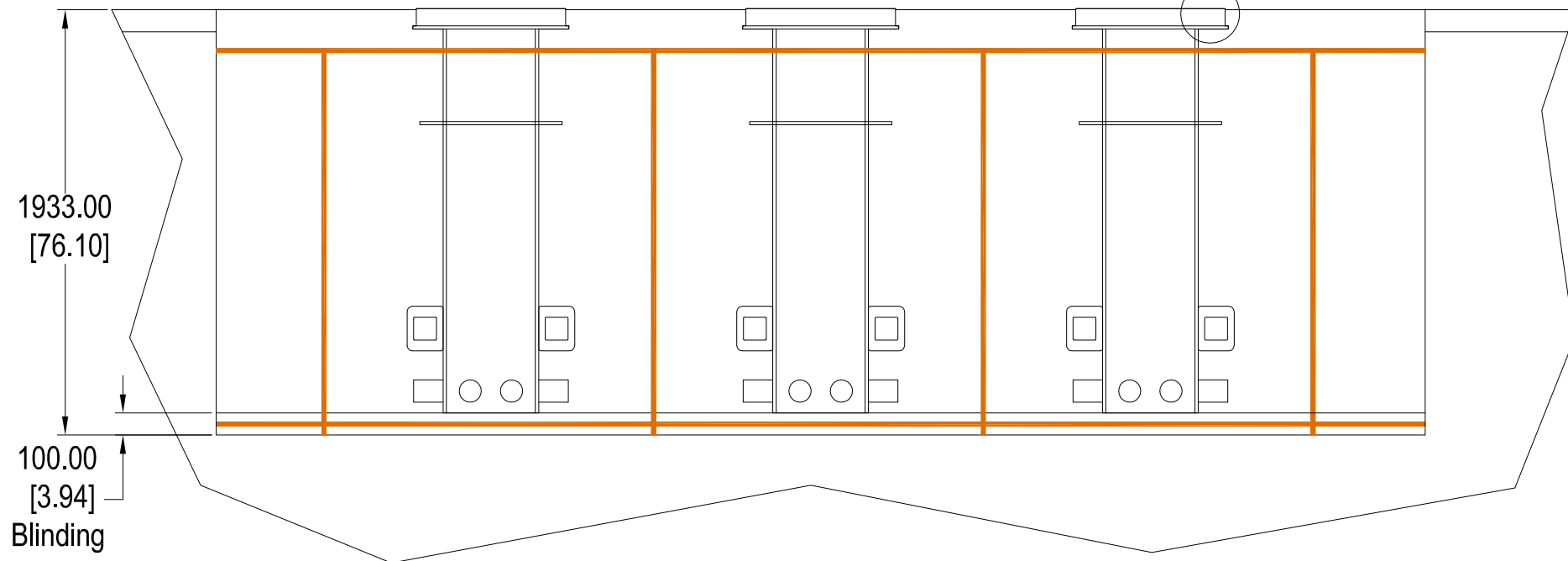
Concrete - Minimum C35

Continuous rigid paving

Surrounding ground

Blinding

Side Elevation



REV	DATE	DESCRIPTION	DRN.	CHK.	APP
A	20.11.05	FIRST ISSUE	DS	.	.
B	07.05.12	Border updated and information standardised	RS	RN	RB
C
D
E
F

ATG ACCESS

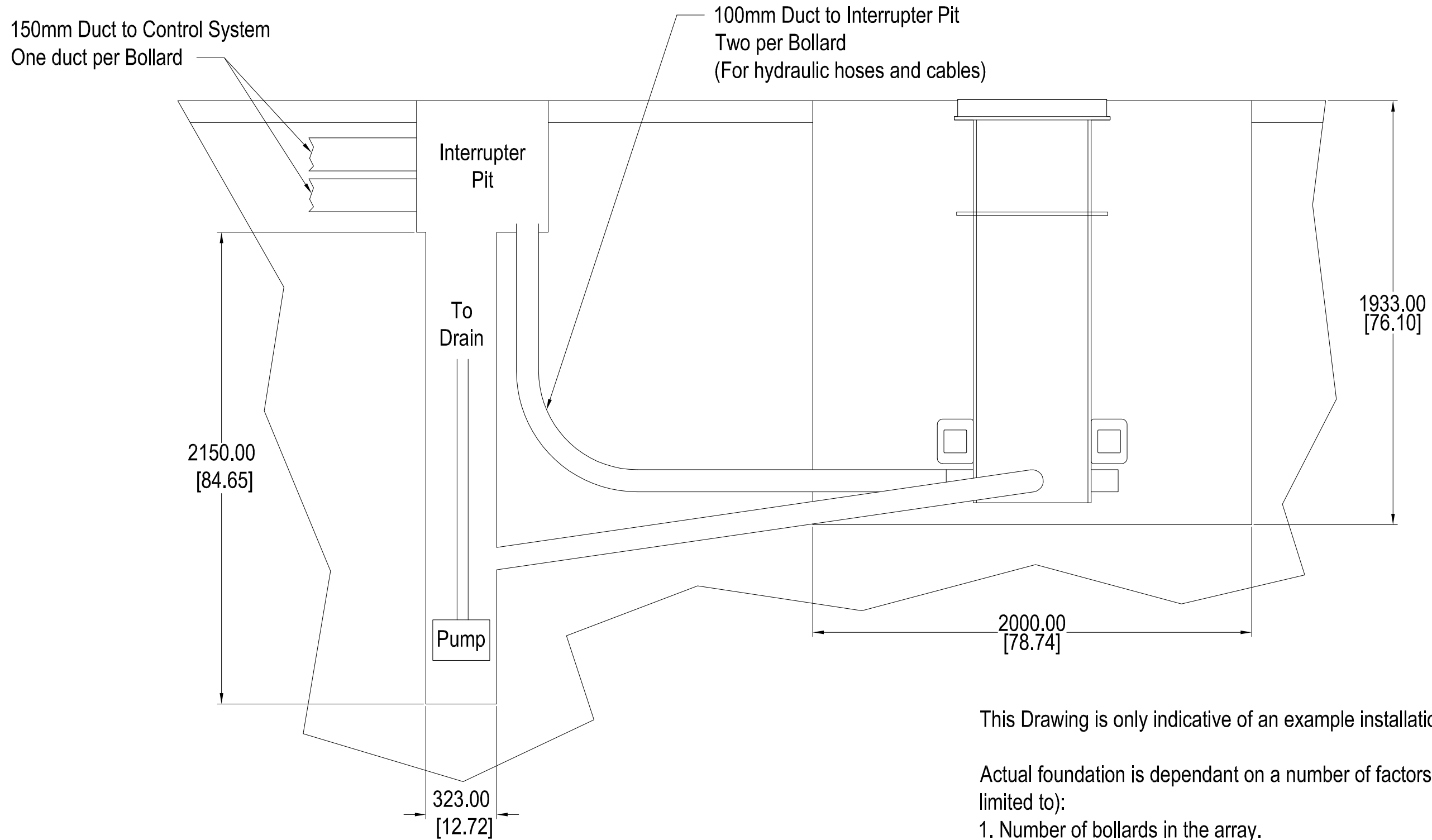
TOLERANCES unless otherwise stated:
 x ± 1.0mm
 x.x ± 0.5mm
 x.xx ± 0.25mm
 Angles ± 0.5°

THIRD ANGLE PROJECTION

BALLOON FORMAT

ITEM No
Quantity

TITLE					
SP1000 Auto - Example Foundation and Installation Details					
MATERIALS		N/A	FINISH		N/A
PROCESS		Generic Drawing	WEIGHT		N/A
Standard dimensions are in millimetres. Dimensions in square brackets are in inches		SHEET		2 of 3	DRAWING
				27490	B



Rebar omitted for clarity
Side Elevation

This Drawing is only indicative of an example installation

Actual foundation is dependant on a number of factors including (but not limited to):

1. Number of bollards in the array.
2. Ground conditions
3. Application

All factors must be considered before designing the foundation. Please contact ATG Access to discuss your specific requirements.

REV	DATE	DESCRIPTION	DRN.	CHK.	APP.	TITLE						
A	20.11.05	FIRST ISSUE	DS	.	.	SP1000 Auto - Example Foundation and Installation Details						
B	07.05.13	Border updated and information standardised	RS	RN	RB	MATERIALS	N/A	FINISH	N/A	VOLUME	N/A	mm ³
C	PROCESS	Generic Drawing	WEIGHT	N/A	ALT PART	.	
D	Standard dimensions are in millimetres. Dimensions in square brackets are in inches		SHEET	3 of 3	DRAWING	27490	B
E							
F							



TOLERANCES
unless otherwise
stated:
x ± 1.0mm
x.x ± 0.5mm
x.xx ± 0.25mm
Angles ± 0.5°

