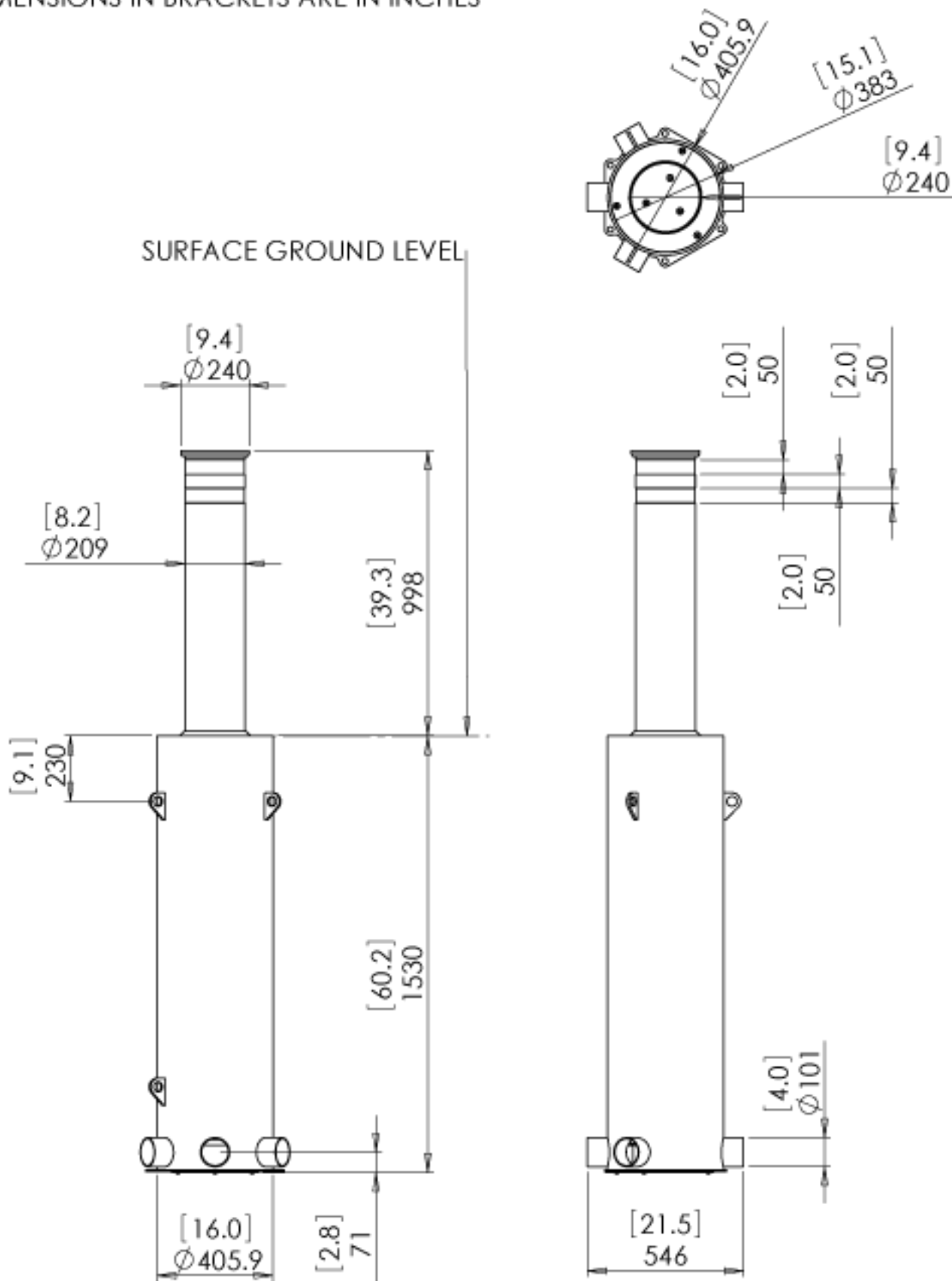


DIMENSIONS IN BRACKETS ARE IN INCHES



ATG ACCESS
CoBoCo House
North Florida Road
Haydock Industrial Estate
Haydock
Merseyside
WALL 91P
Tel +44 (0)1856 75 75 74
www.atgaccess.com

PROJECTION:
THIRD ANGLE



UNLESS OTHERWISE SPECIFIED: DIMS ARE
IN mm TOLERANCES.

DO NOT SCALE DRAWING - IF IN DOUBT
ASK.

DESCRIPTION:

SP400 GENERIC DRAWING

MATERIAL:
VARIOUS

DRAWN BY:
IPW

PROCESS:
VARIOUS

DATE:
20/07/09

FINISH:
VARIOUS

NOTES:
N/A

WEIGHT:

VOLUME:

SHEET
1 of 1

SCALE:
DO NOT SCALE

DRAWING No:
19029

REV:

A4

A